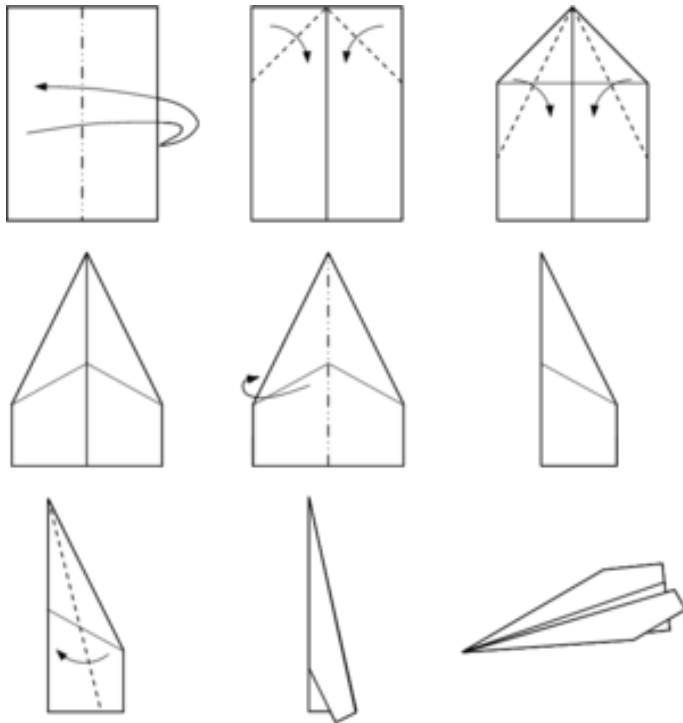


# Paper Airplane Experiments

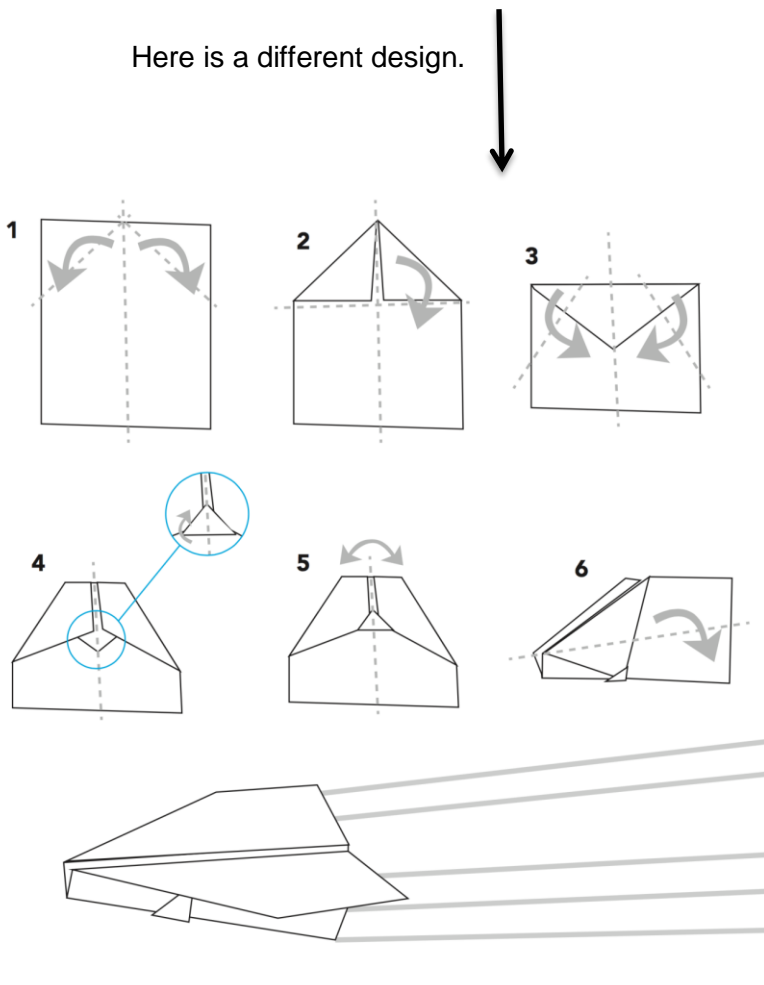
Paper airplanes were something that the Wright Brothers made when they were developing their plans for real airplanes. Kids in Samantha's time would fold paper and try to make flying machines too. There are now hundreds of different paper airplane designs. Use the ones listed below, look up your own or design your own from scratch!



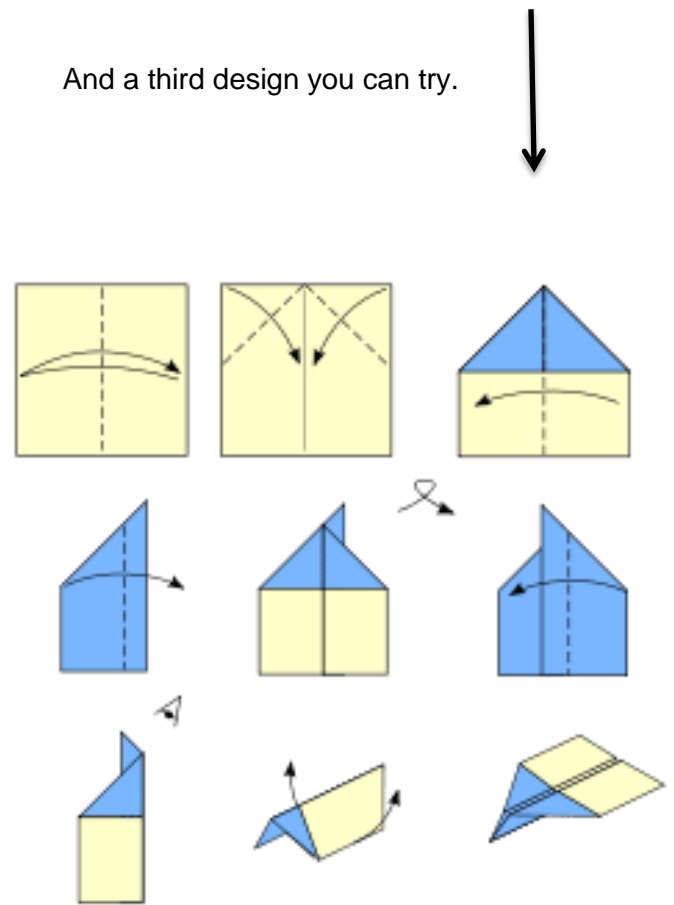
This is the one that we made during our meeting.



Here is a different design.



And a third design you can try.



Or trying making up your own designs. See which one flies the best?

Here are some other ways to experiment:

- Try using tape on different parts of your airplane.
- Try changing the wings of your airplane by bending them in different directions.
- Try adding small slits in your airplane wings.
- See what happens when you add paper clips to different parts of the paper airplane.